

Fero Bariatric

08018 The Fero Bariatric is a very comfortable chair that has been especially developed for bariatric patients.

Support

- Firmly welded metal construction.
- Equipped with fastening elements for an optional footrest and/or legrest.
- Equipped with a case for an optional flexible hand switch holder.
- 4 Integral S castors Ø 125 mm on precision ball bearings, 2 castors at the back have central brakes with a directional lock.

Seat

- Made of a melaminated MDF board of 12 mm.
- Upholstered with fire-retardant foam in 2 different density zones to guarantee an excellent seat comfort.
- The rounded seat in front stimulates a fluent blood circulation.
- Comfortable seat height of 47 cm.
- The upholstery is finished with imitation leather and decorative stitching.

Backrest

- Made of a firmly welded frame.
- Continuously adjustable up to $\pm 25^\circ$ by means of an actuator.
- Can be adjusted by means of a hand switch.
- Upholstered with fire-retardant foam, is finished with imitation leather and decorative stitching.
- Metal push bar at the back.

Lowerable armrests

- The ergonomic front design of the synthetic armrests makes it easy to stand up or sit down.
- Two solid chromium-plated axes to adjust the armrests in height in 4 different positions.
- Locked downwards by means of a spring lever.
- In their lowest position, the armrests are on the same level as the seat.

Optional legrest

- Firmly welded metal support.
- Upholstered with fire-retardant foam.
- 4 design twin castors Ø 75 mm.

Optional footrest

- Made of a strong support board in metal.
- 4 design twin castors Ø 75 mm.
- Equipped with a step safety.

Colours

We would like to refer to our extensive colour gamut.
Sample card + samples available on request.

Accessories

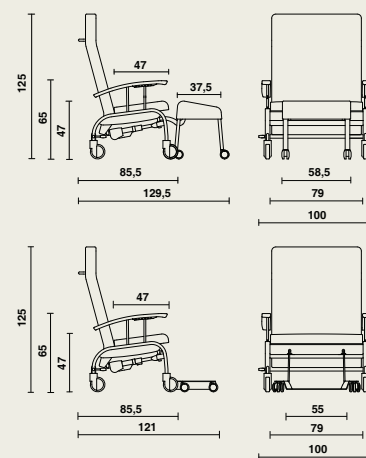
We would like to refer to our
accessorielist.



Dimension

08018 | L 100 x D 85.5 x H 125 cm

- Safe working load: 350 kg



Materials and finishing

- Metal: epoxy coating (light grey), chrome.
- Wood: Plywood, MDF.
- Fire-retardant foam.
- Upholstery: see collection.
- Resistant to the common cleaning products.

For further information about used **materials**,
constructions and **maintenance**: consult our
materialfiles.

Options

- Adjustable and removable head/neck cushion.
- Removable footrest.
- Removable legrest.
- Accessory brackets.
- Case for IV rod.
- Flexible hand switch holder.
- Double aluminium brake pedal.

